



AirePure400

Portable HEPA Air Purifier



Available Options:

- ULPA filtration 99.999% eff to 0.12 microns
- 304 stainless steel construction
- 316L stainless steel construction
- 8" duct collar on inlet or outlet (ducting by others)
- 220v impeller fan
- Illuminated filter change indicator
- UVC sterilization (pending availability)



Recirculating Unit Specifications (Model AP400-AA, as shown)

The Atmos-Tech Industries AirePure400 is designed to be used for HEPA (High Efficiency Particulate Air) filtration in classrooms, hospitals, assisted living facilities, dentist offices, urgent care facilities, nail salons and other indoor areas with limited air circulation.

It is designed to remove viruses, bacteria and other airborne respiratory pathogens from the air in confined indoor spaces.

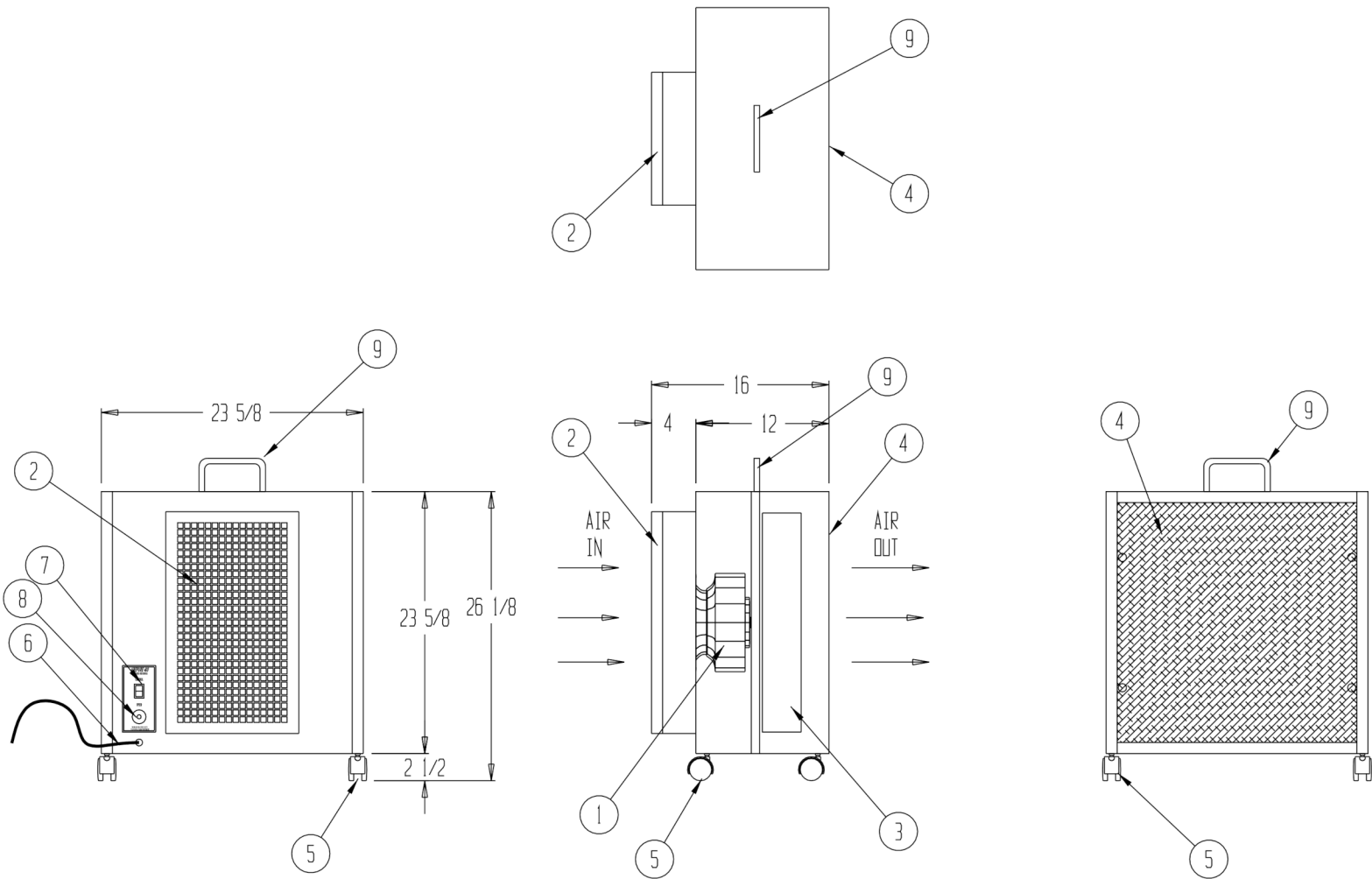
The recirculating unit delivers 400cfm of clean air and can change the air in a 10ft x 10ft room with 8ft ceilings every 2 minutes. A 20ft x 20ft x 8ft area can be significantly cleaned every 8-10 minutes.

Construction

The AirePure400 is constructed out of 16ga anodized aluminum with inward turned flanges and a smooth exterior. The electrical plug fits into a standard 120 volt wall outlet and draws 1.8 amps. An illuminated on/off switch, fan speed control, and swivel casters come standard on every unit. Dimensions are 29"h x 24"w x 16"d.

Maintenance

The unit comes with a MERV8, disposable, pleated prefilter. The HEPA final filter is easily changed by removing the front grill and holding devices. The fan is maintenance free and designed for years of dependable service.



- ① 225MM BACKWARD CURVED IMPELLER BLOWER
115 VOLT, 215 WATTS. CAPABLE OF 400 CFM AT
1.25" WC
- ② 12 X 20 X 1" MERV 8 PLEATED PRE FILTER
- ③ 19 3/4 X 19 3/4 X 3 1/2" HEPA FILTER WITH
ALUMINUM FRAME, 2 3/4" MINI PLEAT MEDIA PACK
WITH HOTMELT SEPARATORS. 99.99% EFFECTIVE
ON PARTICLES OF 0.3 MICRONS IN SIZE
- ④ REMOVABLE PERFORATED HEPA GRILL
- ⑤ 2" DIAMETER SWIVEL CASTERS
- ⑥ 10 FT LONG 115 VOLT POWER CORD
- ⑦ LIGHTED CONTROL SWITCH
- ⑧ ELECTRONIC SPEED CONTROL
- ⑨ ALUMINUM D HANDLE

DRAWN FOR		 ATMOS-TECH INDUSTRIES 1108 POLLACK AVE. OCEAN N.J. 07712			
		TITLE			
		AIREPURE 400			
DRAWN BY	DK	SIZE	JOB NO.	ENG. NO.	REV
APPROVED BY		SCALE	"=1"	DATE	10/19/20 SHEET
				142243680	