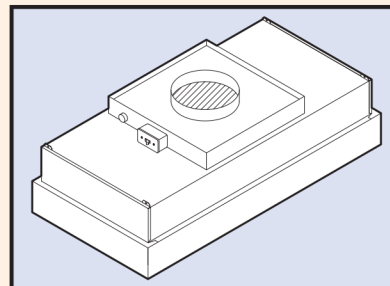


# Options

## Duct Collar Adapter

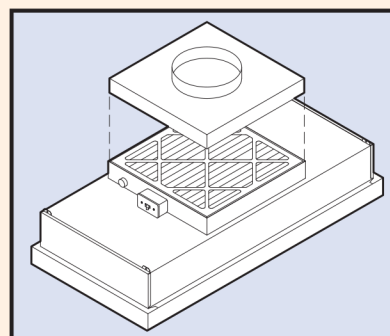
Duct Collar Adapters	
Model No.	Description
19950	10" Duct Collar Adapter with galvanized finish
19951	12" Duct Collar Adapter with galvanized finish

\* No Prefilter is used  
\* Two required for SAM 26 models



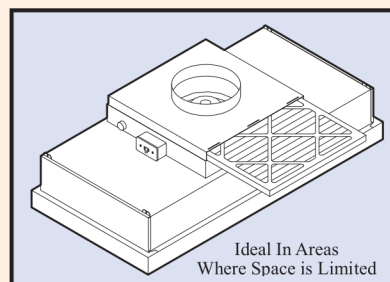
Top Load Duct Collar Adapters (Allows the Prefilter to be changed from the top)	
Model No.	Description
19955	Top Load Adapter w/10" Duct Collar Adapter with galvanized finish
19956	Top Load Adapter w/12" Duct Collar Adapter with galvanized finish

\* Two required for SAM 26 models  
\* Add 1-1/2" to total height of unit



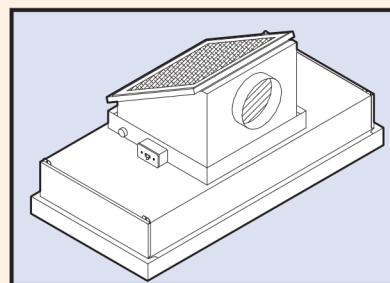
Side Load Prefilter w/Duct Collar (Allows the Prefilter to be changed from the side when space is limited)	
Model No.	Description
19952	Side Load Prefilter Frame w/10" Duct Collar Adapter with galvanized finish
19953	Side Load Prefilter Frame w/12" Duct Collar Adapter with galvanized finish

\* Two required for SAM 26 models  
\* Add 1-1/2" to total height of unit



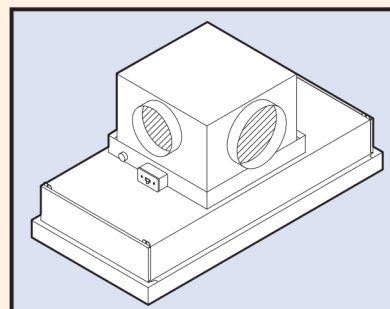
Air Conditioning Mixing Box (Allows Conditioned Air Connection to SAM Unit)	
Model No.	Description
19958	With 10" Duct Collar
19959	With 12" Duct Collar

\* For Open Plenum Systems  
\* Galvanized finish and White Powdercoat finish available



Mixing Box (Allows Conditioned Air Connection to SAM Unit)	
Model No.	Description
19947	With 10" Duct Collar
19948	With 12" Duct Collar

\* Galvanized finish and White Powdercoat finish available



NOTE: Duct collar adapters #19950 & #19951 may be used without negating the UL listing. All other duct collars and mixing boxes negates UL listing.