

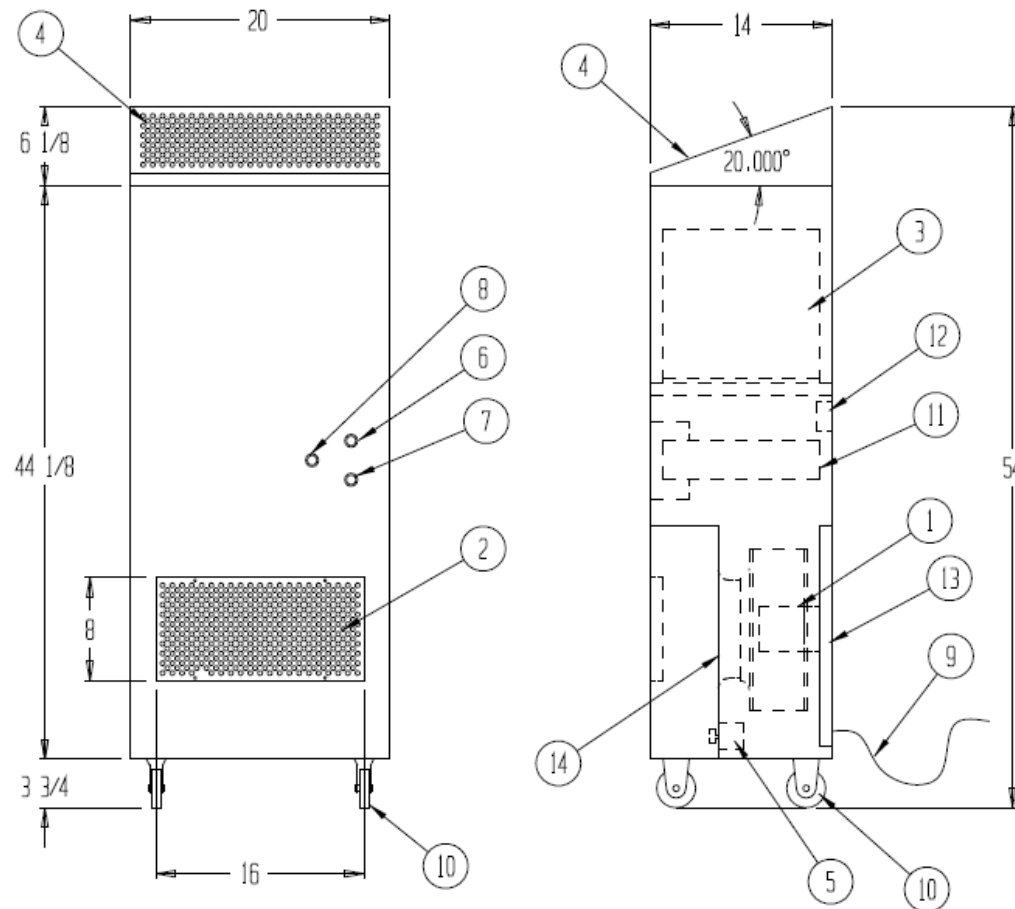
NOTES:

-UNIT CONSTRUCTED OF 16 GA TYPE 304 STAINLESS STEEL WITH A #4 FINISH (316L OPTIONAL)

-WIRING TO MEET LATEST NEC CODES

-ALL ELECTRICAL COMPONENTS TO BE UL RECOGNIZED

-UNIT SHIPS COMPLETE AND READY FOR USE



- ① 310mm BACKWARD CURVED IMPELLER BLOWER
CAPABLE OF 800 CFM @ 1.0" WC. 115 VOLT, 2.8 AMPS
- ② 16" X 8" AIR INTAKE GRILL WITH 1" THICK WASHABLE
FOAM PRE FILTER
- ③ 12 X 18 X 11 1/2 HIGH CAPACITY ULPA FILTER 99.9995%
EFFECTIVE ON PARTICLES OF 0.12 MICRONS IN SIZE
- ④ REMOVABLE PERFORATED SLOPED TOP FOR FILTER
SERVICE ACCESS
- ⑤ ELECTRONIC BLOWER SPEED CONTROL
- ⑥ BLOWER CONTROL SWITCH WITH INDICATOR LIGHT
- ⑦ GERMICIDAL UV LIGHT CONTROL SWITCH WITH INDICATOR
(OPTIONAL)
- ⑧ FILTER CHANGE INDICATOR LIGHT (OPTIONAL)
- ⑨ 8 FT 115 VOLT, 15 AMP POWER CORD
- ⑩ 3" DIA LOCKING SWIVEL CASTERS
- ⑪ GERMICIDAL UV LIGHT (OPTIONAL)
- ⑫ PRESSURE SWITCH FOR FILTER LOADING (OPTIONAL)
- ⑬ REMOVABLE BLOWER SERVICE ACCESS PANEL
- ⑭ GUARDED BLOWER INLET

